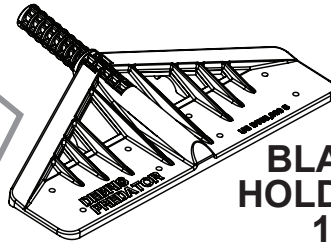


ASSEMBLY INSTRUCTIONS

DEBRIS PREDATOR

TOOLS FOR THE PROFESSIONAL



BLADE
HOLDER
1 PC.



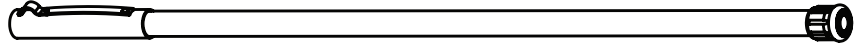
SCREW
8 PC.



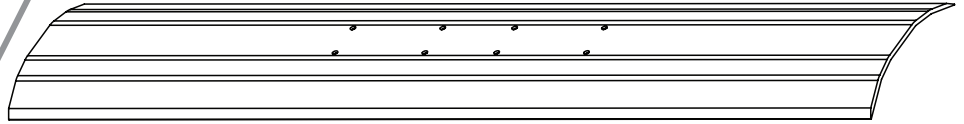
LOCK
NUT
8 PC.



ALLEN
WRENCH
1 PC.



POLE 1 PC.

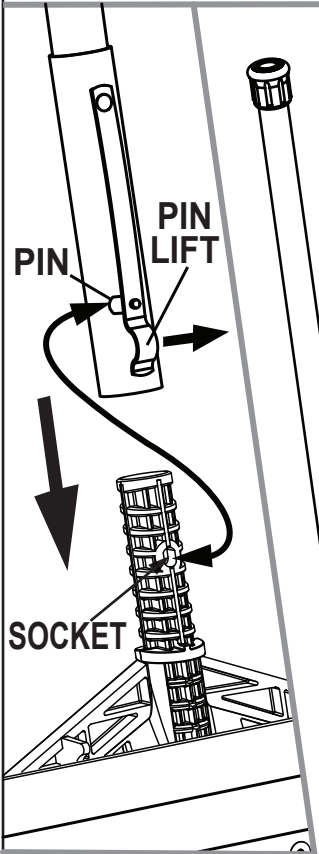
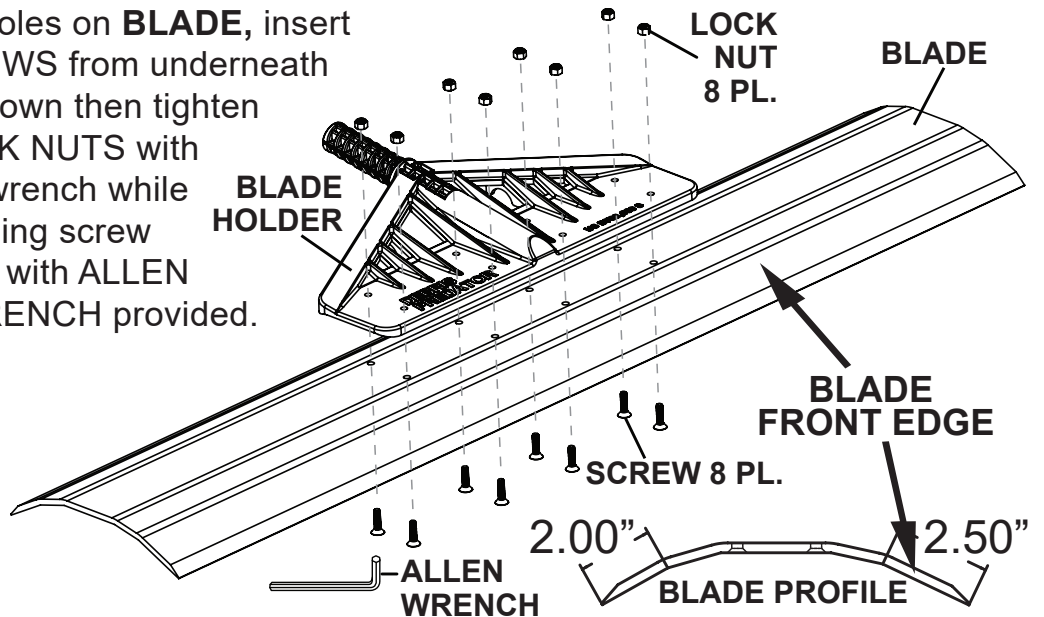


BLADE 1 PC.

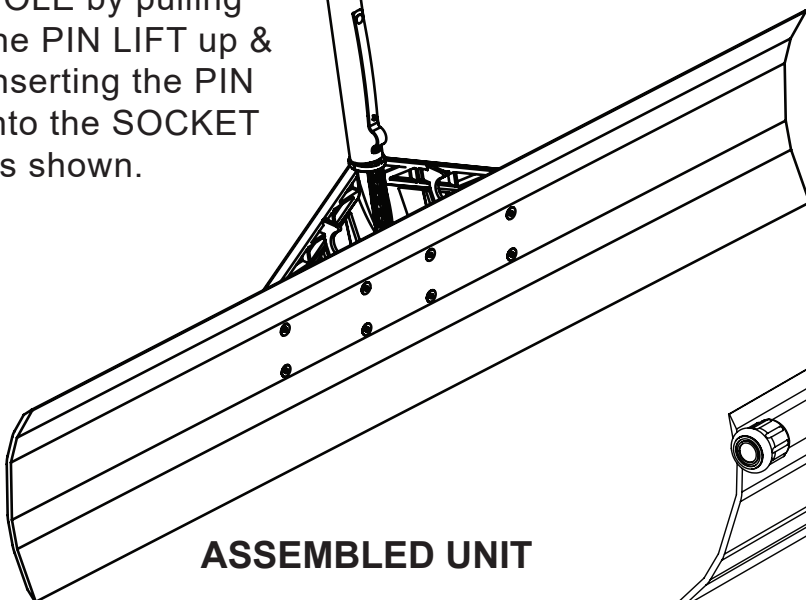
STEP 1. (Carefully position **BLADE FRONT EDGE** correctly as shown)

Line up holes on **BLADE HOLDER**

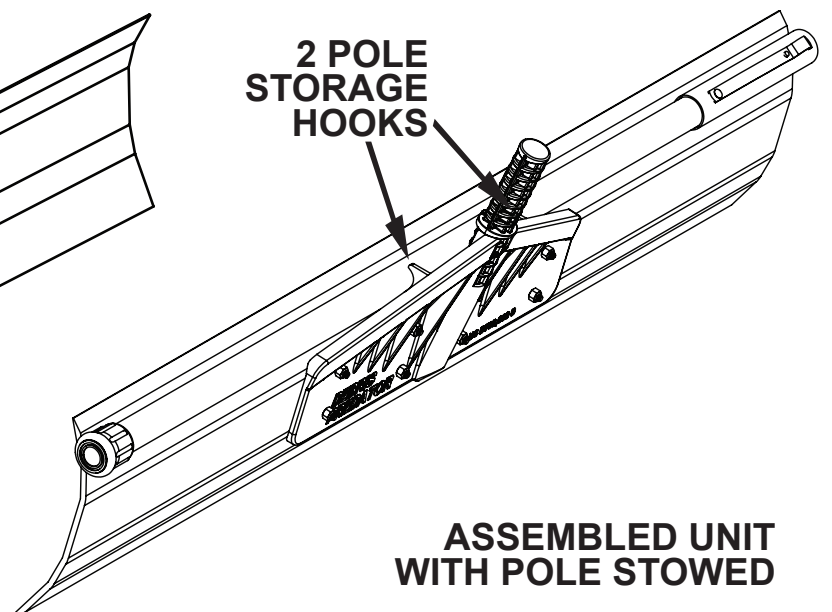
with holes on **BLADE**, insert
SCREWS from underneath
as shown then tighten
LOCK NUTS with
nut wrench while
holding screw
still with ALLEN
WRENCH provided.



STEP 2 : Attach
POLE by pulling
the PIN LIFT up &
Inserting the PIN
into the SOCKET
as shown.



ASSEMBLED UNIT



ASSEMBLED UNIT
WITH POLE STOWED